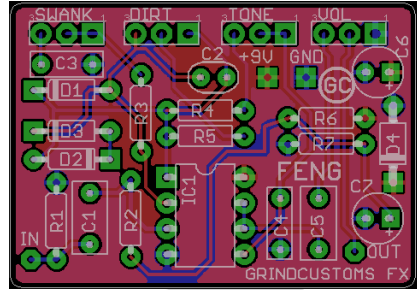


GRIND CUSTOMS FX

WWW.GRINDCUSTOMSFX.COM

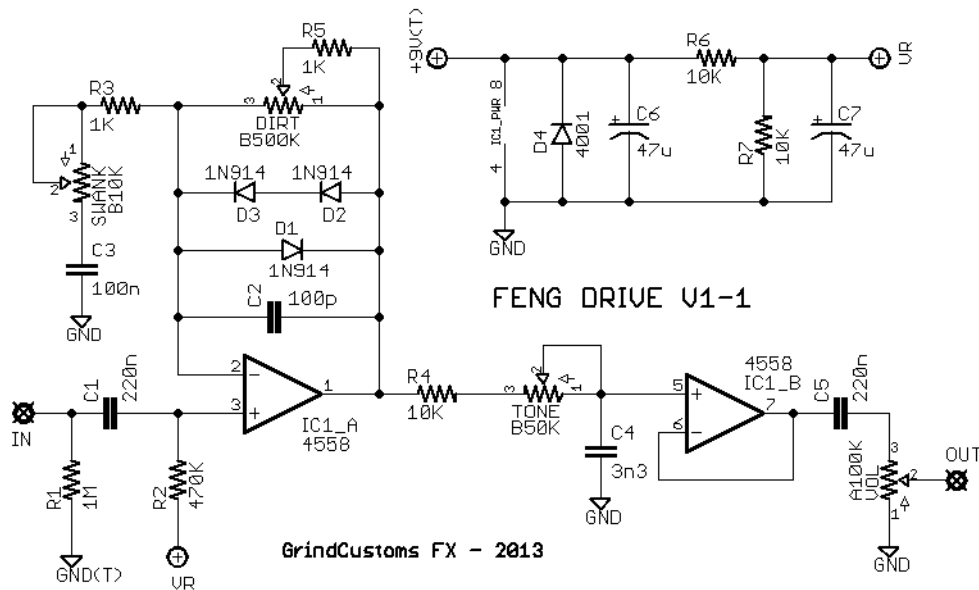
FENG DRIVE



R1	1M
R2	470K
R3	1K
R4	10K
R5	1K
R6	10K
R7	10K

C1	220N
C2	100P
C3	100N
C4	3N3
C5	220N
C6	47U
C7	47U

D1-D3	1N914
D4	1N4001
IC1	4558
SWANK	B10K
VOLUME	A100K
DIRT	B500K
TONE	B50K



HISTORY

PCB by Forrest, it's a stripped down ZenDrive. Mosfet clippers being replaced by diodes. The dirt pot numbering on the lugs is inverted, sorry about that.